

Trapèze

Jean Prouvé, 1950/1954

vitra.



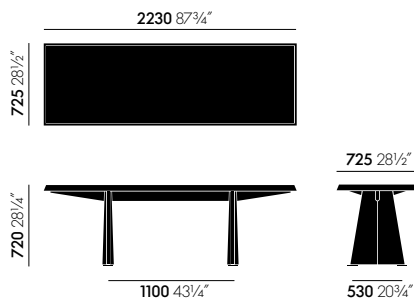
Like the Antony chair, the Trapèze table was originally developed for the Cité Universitaire in Antony near Paris and numbers among the final pieces created by the French 'constructeur' Jean Prouvé in the area of furniture design. The name of the table refers to the distinctive shape

of its paired legs, which are constructed from bent sheet steel. Together with the thick, obliquely canted edges of the table top, they emphasise the solid appearance of the construction.

Materials

- **Table top:** high-pressure laminate, black surface coating.
- **Base (legs and crossbeam):** bent sheet steel, powder-coated in black.

DIMENSIONS



Trapèze

SURFACES AND COLOURS

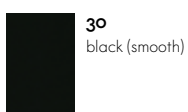
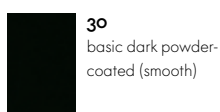


Table top



Base

